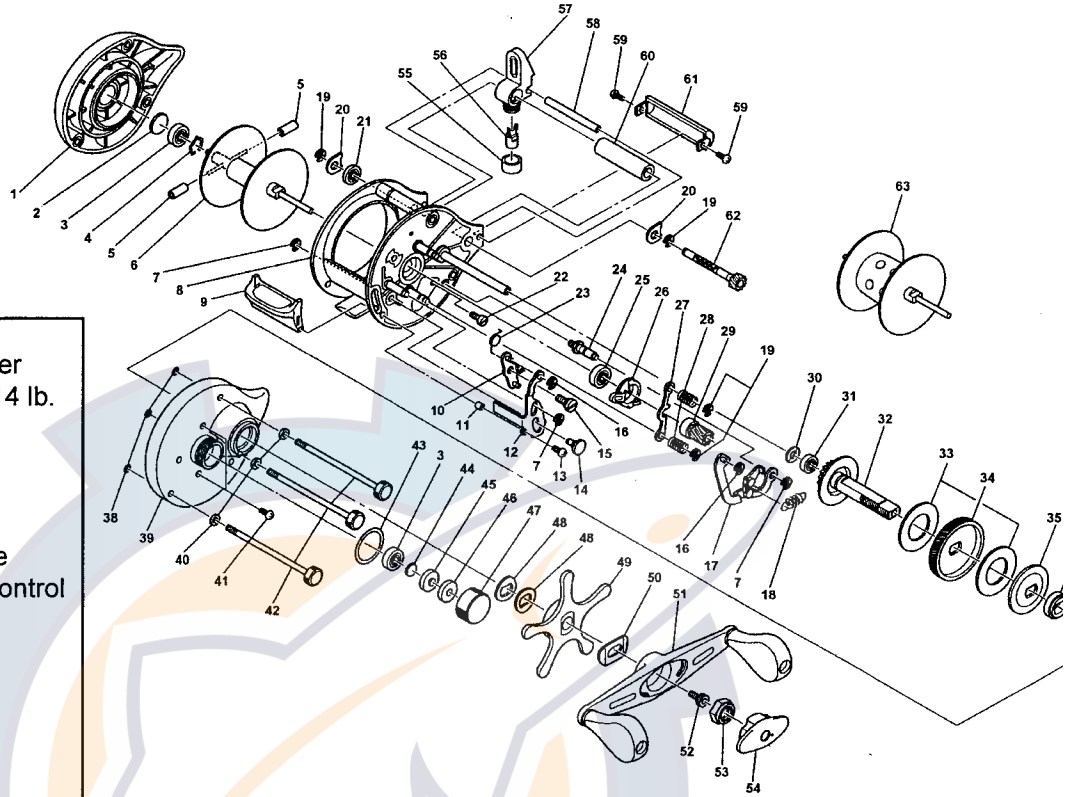




BB25SS



SPECIFICATIONS:

Freshwater/ Light Saltwater
 Line Capacity: 125yds. / 14 lb.
 Gear Ratio: 5.3:1
 5 Bearings (4 BB; 1 RB)

FEATURES:

Thumb Bar Spool Release
 Centrifugal weight Cast Control
 Continuous Anti-Reverse
 1 Piece Aluminum Frame
 Color: Black

Key #	Description	Part #	Key #	Description	Part #
1	Palm Side Cover Assembly	SV323-01A	33	Drag Disc	SV059-01A
2	Spool Tension Washer	XX038-01A	34	Drive Gear	SV012-01A
3	Spool Shaft Bearing	QV017-01A	35	Drag "D" Washer	SV045-01A
4	Clip Ring	JX080-01A	36	Drive Shaft Collar	QV088-01A
5	Brake Shoe	SV044-01A	37	Clutch Sleeve	ZW052-01A
6	Spool Assy	SV321-02A	38	Thumb Screw O-Ring	JX073-01A
7	E-Clip	NX092-01A	39	Gear Side Cover Assembly	SV324-02A
8	Frame Assembly	SV301-01A	40	Thumb Screw Washer	SV121-01A
9	Thumb Bar	SV009-01A	41	Right Side Cover Screw	QW053-05A
10	Slider Link	SV142-01A	42	Thumb Screw Assembly	SV374-02A
11	Thumb Bar Spacer	SV035-01A	43	Tension Knob O-Ring	SV073-01A
12	Release Slider	SV039-01A	44	Spool Tension Washer	QW032-01A
13	Thumb Bar Retainer Screw	ZW053-01A	45	Spool Tension Collar	SV030-01A
14	Slider Post	SV118-01A	46	Tension Knob Cushion	SV082-01A
15	Link Screw	SV125-01A	47	Tension Knob Assembly	SV333-02A
16	E-Clip	SV090-01A	48	Spring "D" Washer	JX046-01A
17	Kick Lever Assembly	SV387-01A	49	Star Drag Assembly	SV355-02A
18	Kick Plate Spring	SV097-01A	50	Handle Washer	NX054-01A
19	E-Clip	QW120-01	51	Handle Assembly	SV318-02A
20	Worm Shaft Bushing	SV067-01A	52	Crank Shaft Retaining Screw	SV123-01A
21	Worm Shaft Bearing	N/A	53	Handle Nut	RV003-01A
22	Kick Slider Guide - Screw	SV139-01A	54	Handle Cap	SV034-02A
23	Clutch Spring	JX104-01A	55	Line Guide Pawl Cap	SV007-02A
24	Kick Lever Post	SV114-01A	56	Line Guide Pawl Assembly	SV306-01A
25	Spool Shaft Bearing	SV017-01A	57	Line Guide Carrier Assembly	SV347-01A
26	Yoke Cam	SV141-01A	58	Carrier Guide	SV061-01A
27	Yoke	SV025-01A	59	Carrier Guide Screw	JX107-01A
28	Pinion Yoke Spring	AV040-01A	60	Worm Shaft Guide	SV016-01A
29	Pinion Gear Assembly	SV311-01A	61	Front Support	SV099-01A
30	Washer - Crank Shaft Spacer	SV038-01A	62	Worm Shaft Assembly	SV372-01A
31	Crank Shaft Bearing	N/A	63	Spare Spool Assy	N/A
32	Crank Shaft Assembly	SV308-01A			

Please call for parts availability and current pricing.
 Brunswick Division Brunswick Corp. PO Box 270, Tulsa, OK 74101

PLEASE ORDER BY PART NUMBER
 Phone: 918-831-6965 FAX: 1-800-982-80